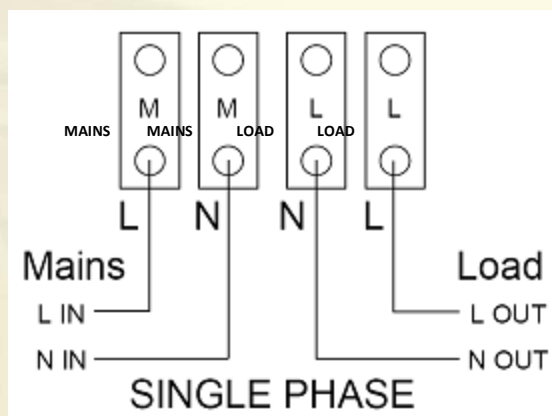




**WIRING INSTRUCTIONS FOR A SINGLE PHASE METER**



As you look at the terminal block the two left hand terminals are live and neutral and the two right hand terminals are neutral and live ie common neutral on the middle two terminals.

01803 297179 | 01803 299488