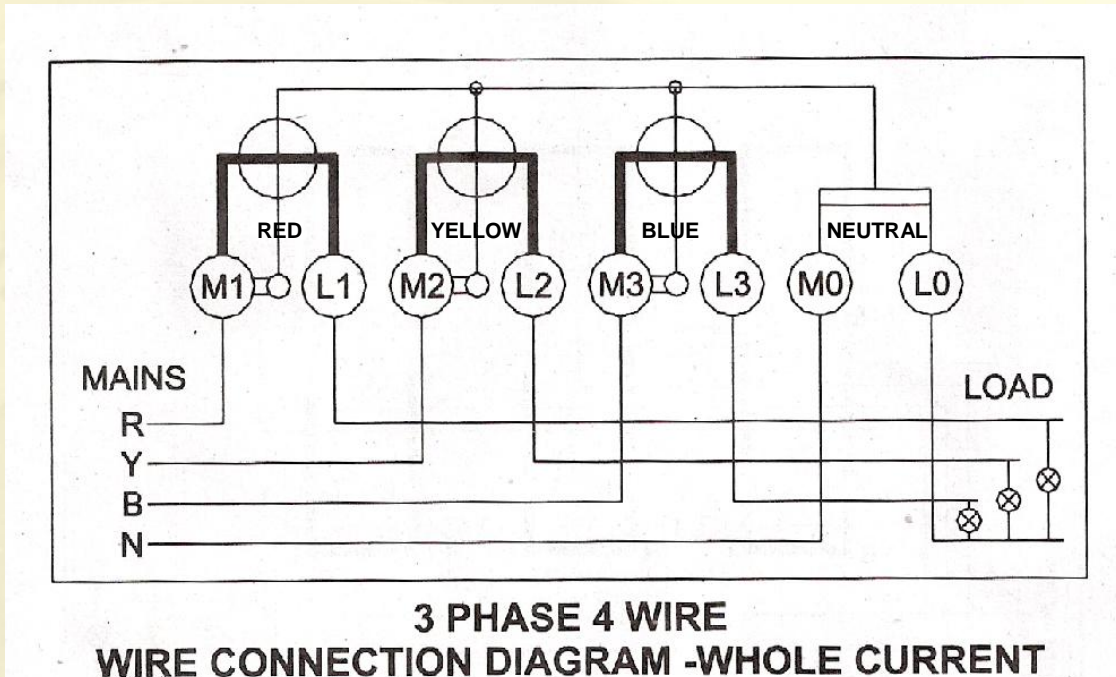




WIRING DIAGRAM FOR A RECONDITIONED THREE PHASE DIRECT CONNECT METER



01803 297179 | 01803 299488