



CURRENT TRANSFORMER

Crompton instruments – M63N current transformer (200-800A)

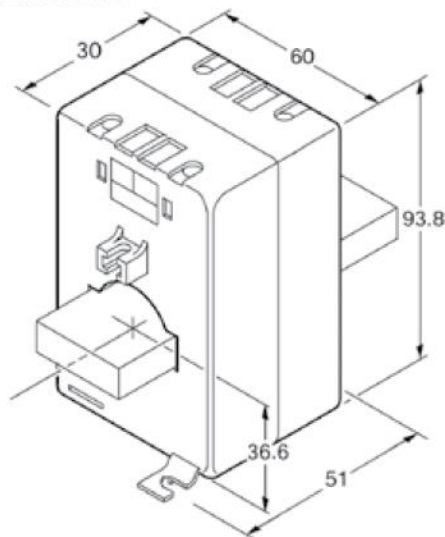
Technical information



- 32mm² Aperture
- 40mm x 10mm Busbar Aperture
- 200-800A Primary Current
- Secondary M4 Screw Terminals
- Accuracy Class 0.5, 1 or 3
- Busbar or DIN Rail Mounted

The M63N Range of Solid Core Current Transformers from Crompton Instruments work in conjunction with any 5A CT Operated Electricity Meters. You can use individual M63N CTs for Single Phase applications, you can also use several of these current transformers for Three Phase applications. The Aperture on this model accommodates 32mm² Cable, as well as 40mm x 10mm, Busbar. The M63N is ideal for applications such as Distribution systems, Generator sets, Control Panels and Switchgear.

DIMENSIONS



- Mounting feet centres
42 mm x 51 mm

01803 297179 | 01803 299488