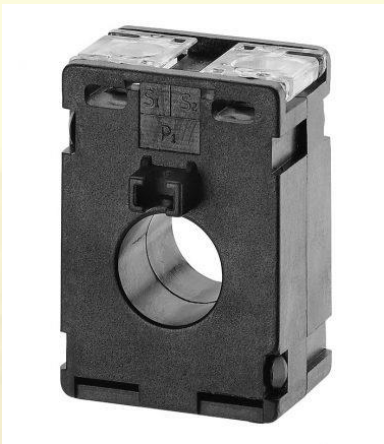




CURRENT TRANSFORMER

Eastron DM20 current transformer (100-300A)

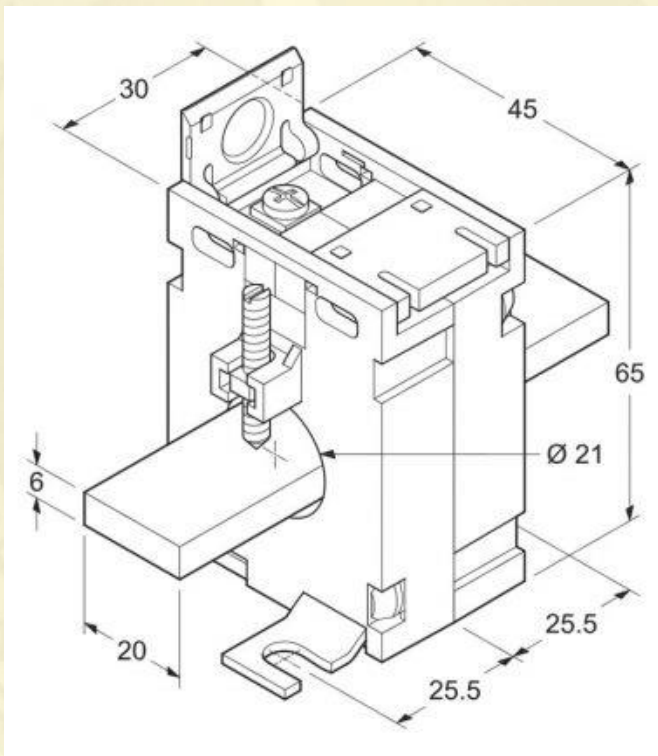
Technical information



- 21mm² Aperture
- 20mm x 6mm Busbar Aperture
- 50-300A Primary Current
- Secondary M4 Screw Terminals
- Accuracy Class 0.5, 1 or 3

Busbar or DIN Rail Mounted. The DM20 Range of Solid Core Current Transformers from Eastron Instruments work in conjunction with any 5A CT Operated Electricity Meters. You can use individual DM20 CTs for Single Phase applications; you can also use several of these current transformers for Three Phase applications. The Aperture on this model accommodates 21mm² Cable, as well as 20mm x 6mm Busbar. The DM20 is ideal for applications such as Distribution systems, Generator sets, Control Panels and Switchgear.

DIMENSION DRAWING



01803 297179 | 01803 299488