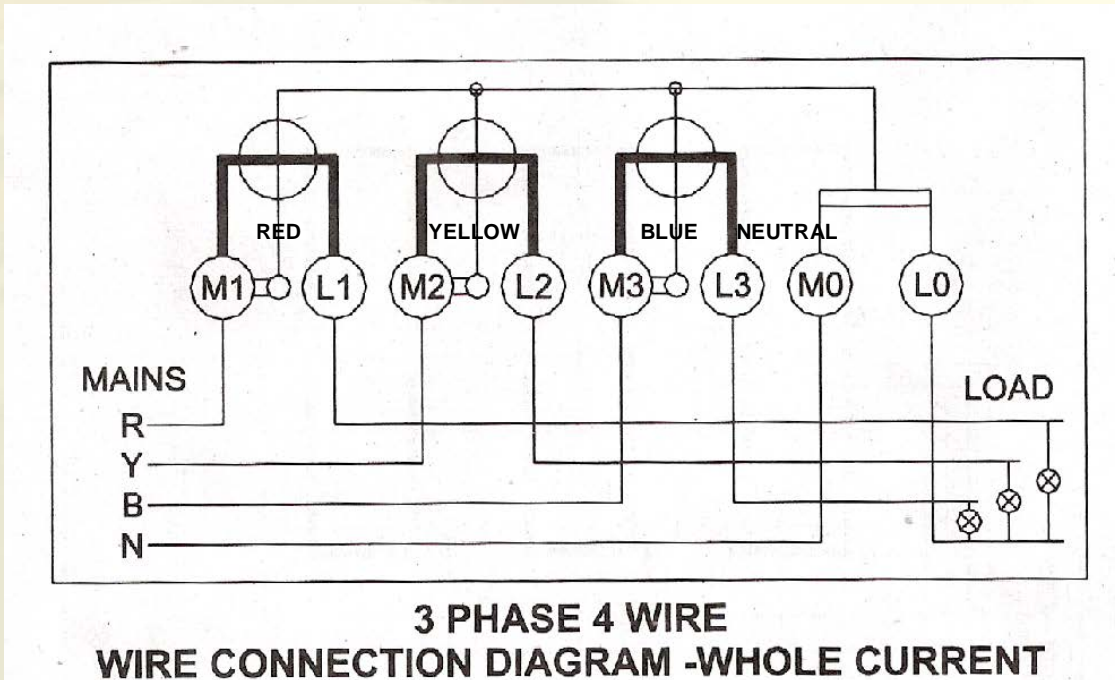




### WIRING DIAGRAM FOR A RECONDITIONED THREE PHASE DIRECT CONNECT METER



**3 PHASE 4 WIRE  
WIRE CONNECTION DIAGRAM -WHOLE CURRENT**

01803 297179 | 01803 299488